



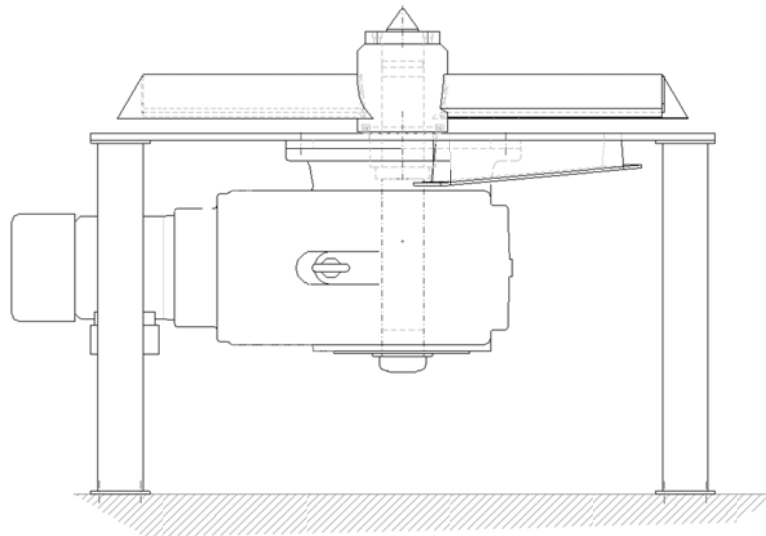
# PUSHER

PZ

Pusher PZ produced by TAURUS, s.r.o., Chrudim, is designed for unloading difficult to pour materials (wood sawdust, shavings, crushed straw etc.) from containers with flat bottom with diameter up to 3 m to the maximum height of 2 m.

Material in the space above the spring carrier is raked out by a rotational motion of the springs in the outlet direction. The driver unit consists of an electric gearbox.

The device is not intended for dosing products!

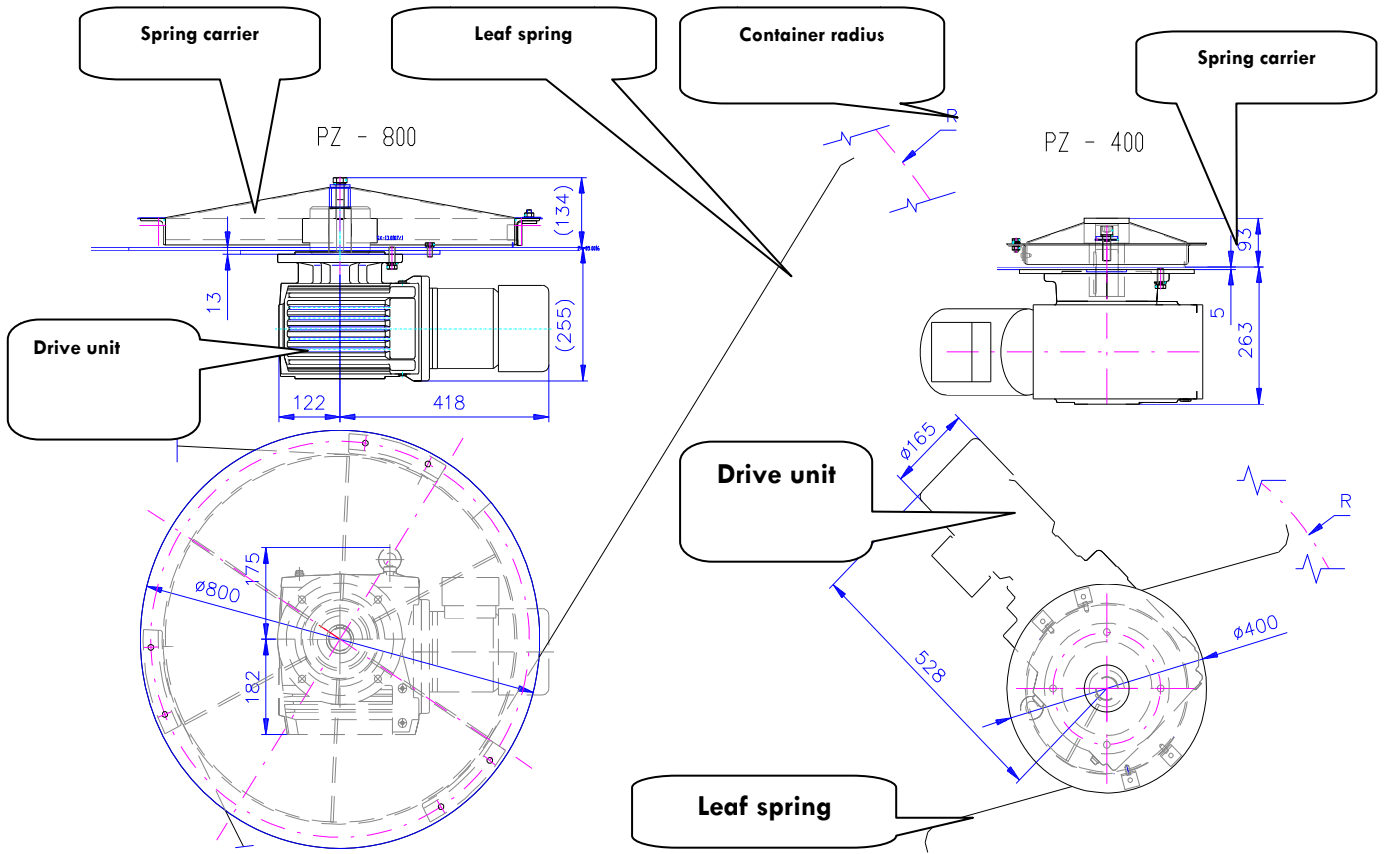


Item		Unit	Version	
			PZ	PZ
Basic dimensions	spring carrier diameter (version)	mm	800	400
	spring length		according to the container diameter	
	machine height		390	350
Weight		kg	97	82
Installed power input		kW	0.75	0.55
Rated supply voltage		V	230/400	
Rated rotor speed		rpm	2.7	3.9
Capacity *		t/h	Not determined	Not determined

\* Capacity is determined by the follow-up transport equipment, e.g. by a screw conveyor.



## Basic dimensions of the Machine



### Anchoring Plan

