



VERTICAL MILL

VM 4, VM 5,5, VM 7,5

Vertical (hammer) mill made by our company TAURUS, s.r.o., Chrudim is the machine for milling of cereals determined. Material is milled by beaters in a high speed rotated as well as by friction between cover of sieve and raw materials.

The machine is determined for montage in technologic plants, where is made the fodder mixtures for animals. There are such equipment as a silo for raw material and silo for milled material, also conveyers and the machines for processing of loose materials, in these plants.

The mill is possible to use also for milling of bones in rendering plants, for milling of wooden wastes in wooden industry and some lumpy raw materials in various industrial plants.

Advantages:

- saving and reliable operation
- minimal maintenance
- easy Exchange of sieves
- easy operation
- easy cleaning of the machine
- long service life of the rotor and hammers

The possibility of grinding:

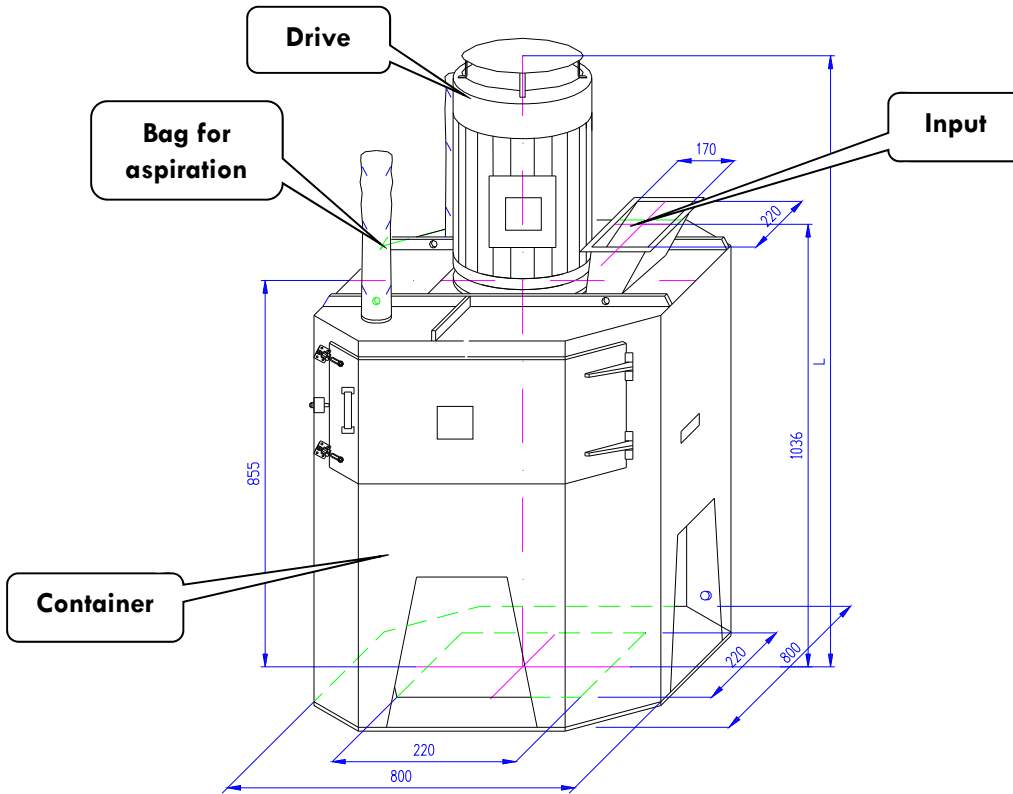
- cereals and frains for feed
- wood chips and wood waste
- straw
- residues of bricks
- bones (rendering plant)
- lumpy materials
- waste



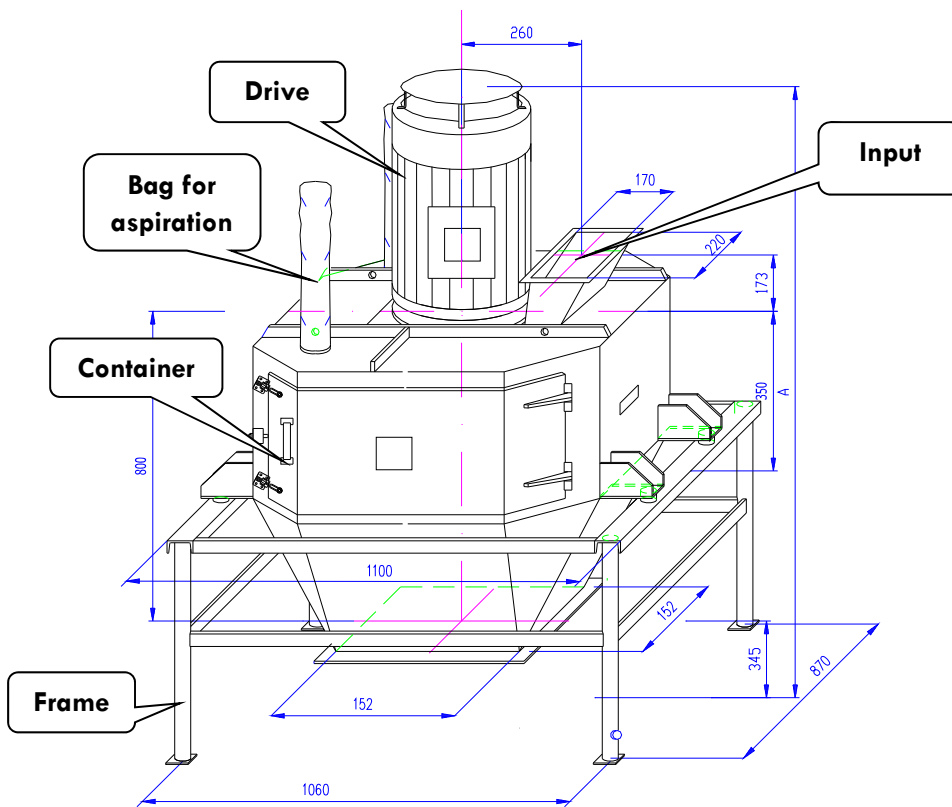
Data		Unit	Model							
			VM 4		VM 5,5		VM 7,5			
Basic dimensions	length	mm	800		800		800			
	width		800		800		800			
	height		1245		1290		1290			
Weight	total	kg	210		220		231			
	drive		30		43		53			
	rotor		8,7		8,7		8,6			
Type of drive		-	112 M		132 S		132 S			
Installed output		kW	4		5,5		7,5			
Specific current		A	7,8		10,3		13,8			
Specific RPM		rpm	2905		2925		2930			
Rotor diameter		mm	530							
Number of hammers		pcs	8							
Sieve inlet diameter		mm	2	2,5	3	3,5	4	5	6	8
Efficiency (for wheat Ø3-4 mm sieve)		t/h	0,6 – 0,8		0,8 – 1,0		1,0 – 1,2			



Basic dimensions



Typ	L (mm)
VM 4	1245
VM 5,5	1290
VM 7,5	1290



Typ	A (mm)
VM 4	1535
VM 5,5	1580
VM 7,5	1580