



TURBO MILL

TM 11, TM 15

Turbo Mill (self-priming crushing mill) produced by TAURUS, s.r.o., Chrudim, is a machine designed for transport of processed materials via underpressure pipeline branch into the grinding space where the ground material is crushed by strikes of crushing bodies with high peripheral speed and discharged through screen shell via pressure pipeline branch into the container.

The Machine is designed for integration into technological units (lines) consisting of material storage equipment (silos) designed for crushing, transport routes, and connected technological equipment for storage and processing of crushed materials.

Accessories for suction and discharge transport routes will be combined according to the customer's requirement.

Advantages:

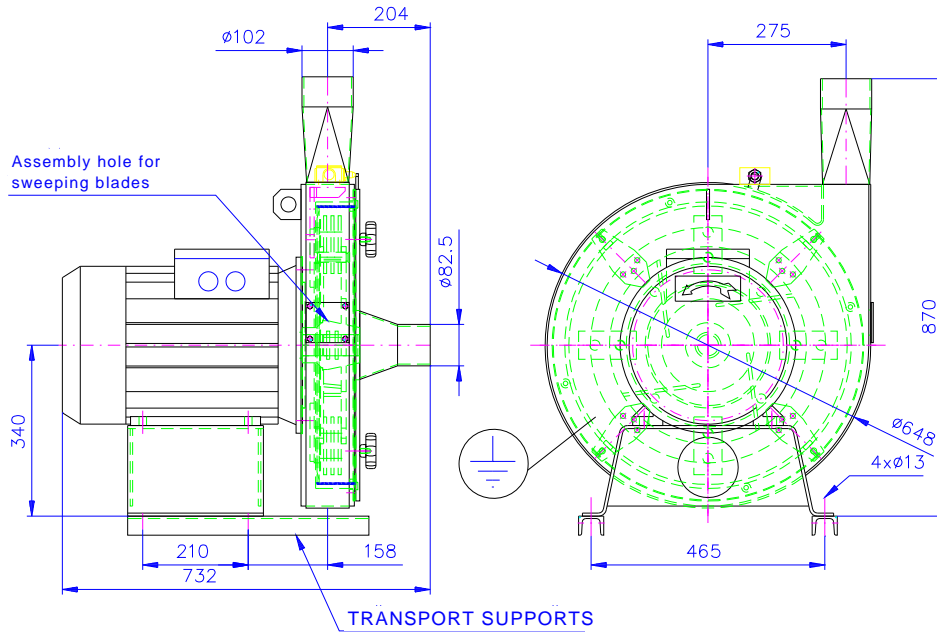
- Economical and reliable operation
- Minimum maintenance demands
- Easy exchange of screens
- Easy operation
- Easy cleaning of the whole machine
- Long service life of hammers and rotor
- Pneumatically substitutes supply and removal transport routes



Item		Unit	Version						
			TM 11			TM 15			
Basic dimensions	length	mm	730			730			
	width		650			650			
	height		870			870			
Weight	total	kg	210			230			
	electric motor		100			115			
	mill rotor		40			40			
Rated supply voltage		V	230/400						
Rated frequency		Hz	50						
Installed power		kW	11			15			
Rated current		A	20.9			27.6			
Rated rpm		rpm	2930			2920			
Mill rotor diameter		mm	515						
Number of hammers		pcs	10						
Number of hammer rows		pcs	2-3						
Peripheral speed of hammers		m/s	79						
Screen hole diameter		mm	2	2.5	3	3,5	4	5	6
capacity – wheat, screen 2-3 mm		t/h	1			1.5			
The lowest degree of protection		-	IP 55						



Basic Dimensions of the Machine



Air-handling data:

Total air volume		$m^3 \cdot s^{-1}$	0.21
Total pressure drop		Pa	2100
Max. transport length	- suction ($\varnothing 82.5 \times 3.6$)	m	30 + one bend
	- discharge ($\varnothing 102 \times 3.6$)	m	8 + one bend
			(max. up to the height of 6 m)