



MAGNET PLATE

MD 1, MD 2, MD 2x2

Magnet Plate produced by TAURUS, s.r.o., Chrudim, is a machine designed for separation of ferromagnetic contaminants from passing loose materials (grain, grists, and similar).

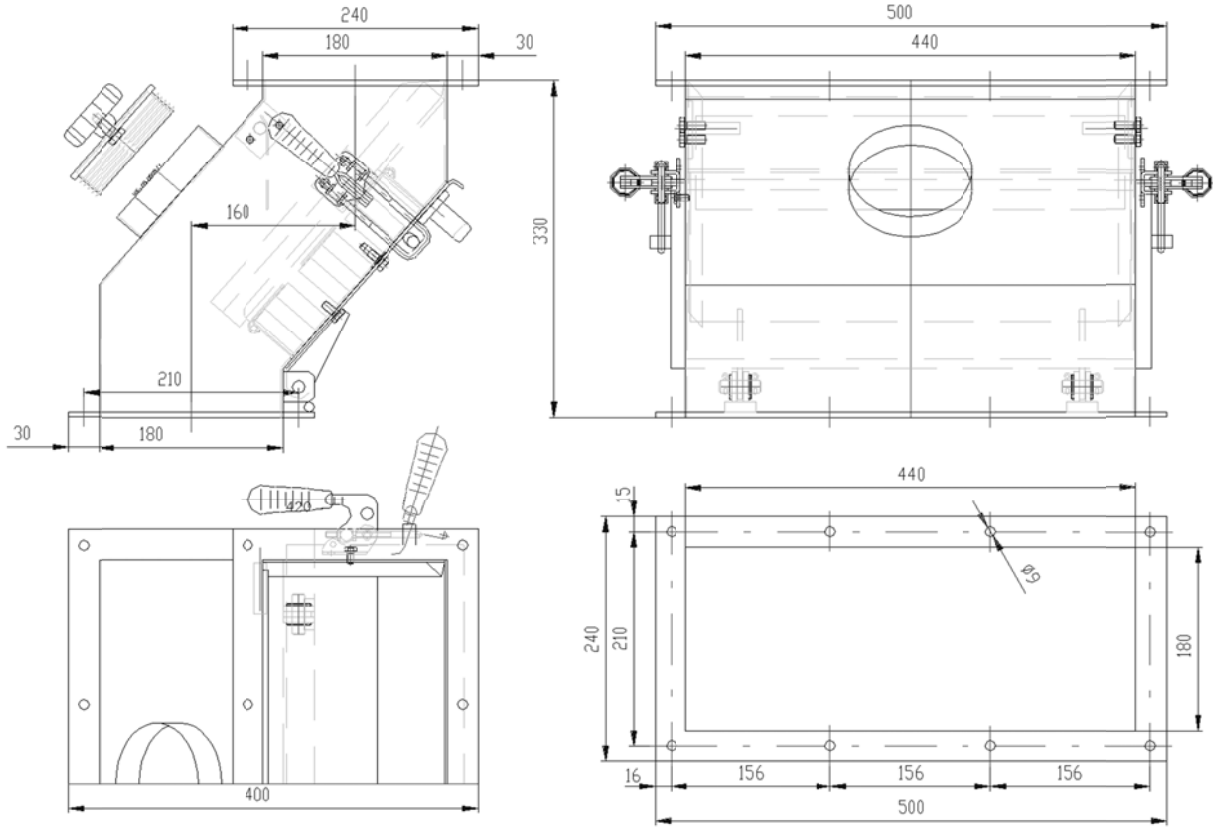
The Machine is designed for integration into technological units for preparation of compound feedingstuffs for animals and similar industrial operations consisting of storage equipment and connected technological equipment for processing of bulk materials.



Item		Unit	MD 1 design	MD 2 design	MD 2x2 design
Basic dimensions	length	mm	500	500	500
	width		400	400	880
	height		330	660	960
Grain capacity		m ³ /h	20	45	100
Bulk mixture capacity		m ³ /h	18	30	60
Weight		kg	41.5	83	185



Basic Dimensions of the Machine



Variants of MD Magnet Plate pattern

