



ANGULAR SCREW CONVEYOR

ZŠ 200, ZŠ 250

Angular Screw produced by TAURUS, s.r.o., Chrudim, is a machine designed for transport of bulk non-abrasive materials. Max. tilt of the inclined section conveyor from horizontal plane up to 25° and max. lengths up to 6 m.

Material is transported by means of a worm shaft rotating in a worm gear box in the shape of trough and tube from inlet to outlet.

The Machine is designed for integration into technological units for preparation of compound feedingstuffs for animals and similar industrial operations consisting of storage equipment and connected technological equipment for processing of bulk materials.

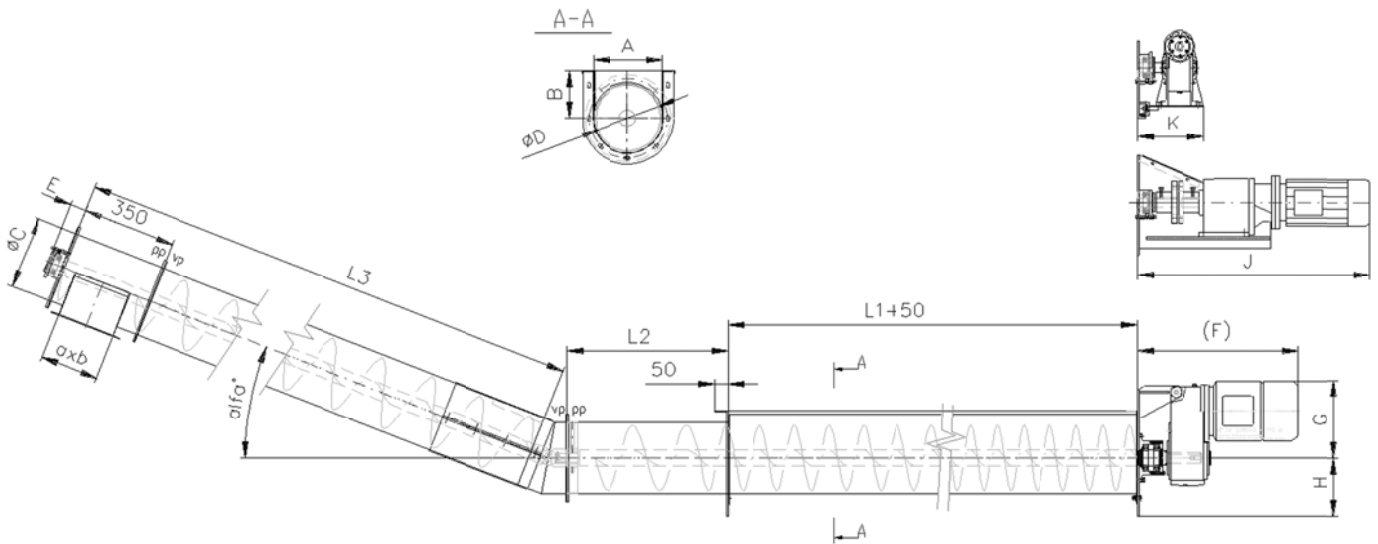


Item	Unit	ZŠ 200	ZŠ 250
<u>Basic dimensions</u>			
- worm diameter		200	250
- max. horizontal length L 1+L2	mm	12000	12000
- max. inclined length L3		6000	6000
- machine height		440	520
- max. inclined section angle		25°	25°
Weight (approximate) without drive	kg/m	38	49
Rated supply voltage	V	230/400	
Rated frequency	Hz	50	
The lowest degree of electrical equipment protection	-	IP 54	
Installed power (according to the conveyor length and required output)	kW	1.1 – 5.5	1.1 – 5.5
Capacity	m ³ /h	up to 21	up to 35
Basic machine speed	rpm	100	100



Basic Dimensions of the Machine

Drive variant according to the customer's requirement



Dimensions (mm)	A	B	C	D	E	F	G	H	J	K	L1+L2	L3	Angle
ZŠ 200	220	180	220	200	62	606	292	220	900	245	max. 12000	max. 6000	max. 25°
ZŠ 250	265	180	273	250	62	606	292	220	900	245	max. 12000	max. 6000	max. 25°

Inlet and outlet arrangement and dimensions according to the customer's requirement. When requiring an atypical configuration of inlet, outlet, or cleaning holes, the customer must specify (sketch) their dimensions and placement on the worm housing body.