



GRANULATING PRESSES

Iota25, Chi30, Chi33, Chi36, Eta36, Gamma42, Tau42, Delta50, TaU51, Alfa56, Sigma80, Kappa88

Granulating presses (pelletmills) are used for the granulation of feed mixtures and biomass (production of wood pellets). The type of granulating press is selected on the basis of the processed raw material, the requirements and the customer and on the basis of the long-term experience of our company in the field.

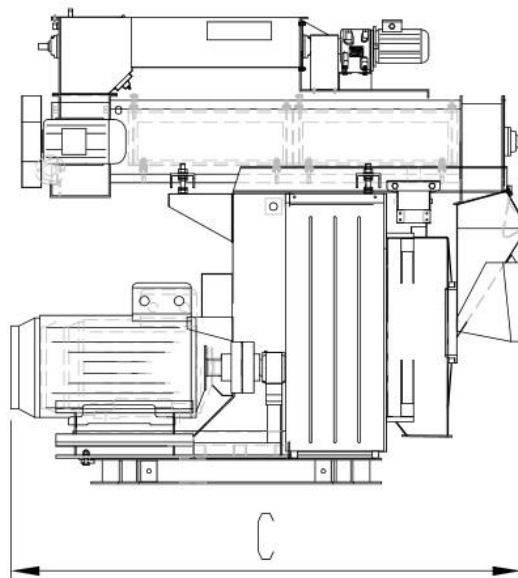
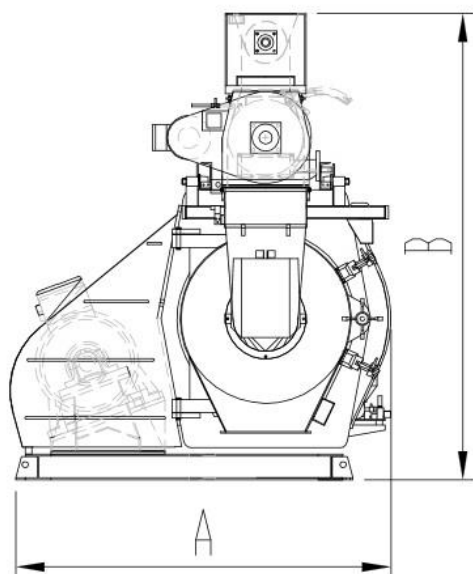
Granules for feed purpose (broilers, laying hens, pigs, dairy cows, rabbits, cattle) wood, wastes, chips, sawdust, hay, straw, alfalfa, compost, etc.



Materials for granulation / pelleting

- wood, wood waste, chips, sawdust
- feed - broilers, laying hens, pigs, dairy cows, rabbits, cattle
- hay, straw
- alfalfa, compost, manure, pulp, etc.

The performance of the granulation / pelletizing presses is determined according to the specified material and according to the required punching of the matrix.



Type	Matrix Ø [mm]	Basic dimensions			Power kW [kW]	Weight [tons]
		A [mm]	B [mm]	C [mm]		
Iota25	254	1195	2190	1395	18,5 – 22 – 30	0,9
Chi30	300	1575	1750	1855	30 – 37 – 45 – 55	1,8
Chi33	330	1575	1750	1855	37 – 45	2,4
Chi36	360	1825	1940	2215	55 – 75	4
Eta36	360	1945	2015	2025	55 – 75	3,6
Gamma42	420	2000	2060	2310	75 – 90 – 110	4,4
Tau42	420	2150	2290	2910	75 – 90 – 110	6
Delta50	500	2295	2620	2920	110 – 132 – 160	7,5
Tau51	510	2150	2290	3005	90 – 110 - 132	7,5
Alfa56	560	2325	2895	3205	132 – 160 – 200	8,6
Omega67	670	2575	2835	3915	132 – 200 – 250	9,3
Sigma80	800	3050	3055	4080	315	15
Kappa88	880	3100	3145	3415	2x132 – 160 - 200	16,5